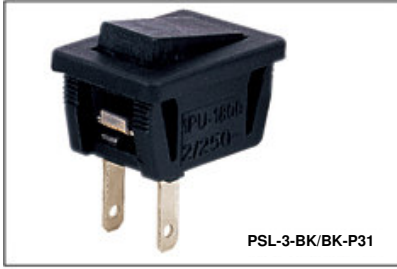


**Push Switch (PSL-3 Series)**

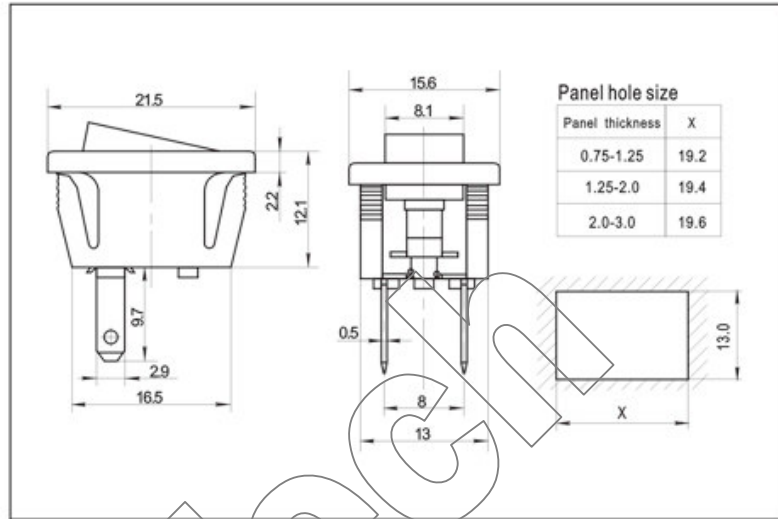


PSL-3-BK/BK-P31

**SPECIFICATIONS**

5A 250VAC T85

ROHS Compliance



EXPLANATION MODEL NUMBER

**PSL - 3 - BK/BK - P31**

Color Cap/Housing	
BK	Black
WT	White
GE	Grey

